

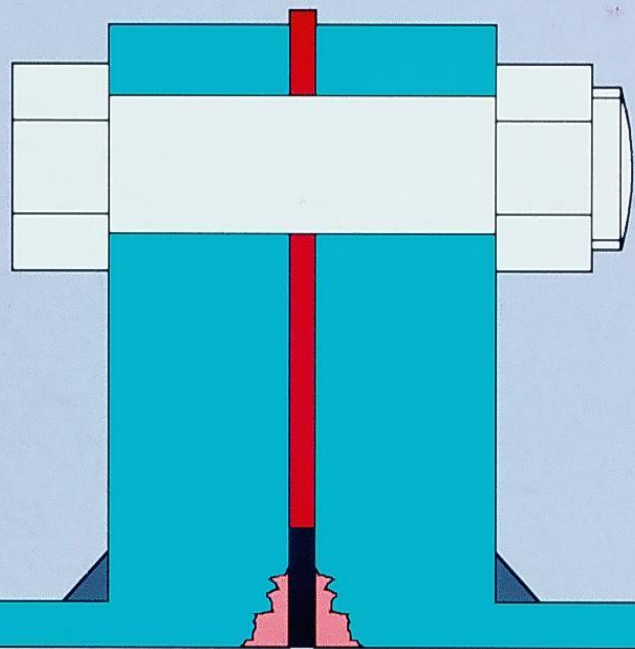
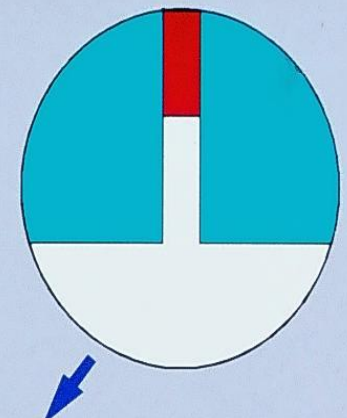
Flange Protection Presentation



Crevice Corrosion:

- Intensive localised corrosion occurring in crevices and other shielded areas on metal surfaces exposed to corrosive environment.





↑ **DEAD AREA = Potential for
Differential Aeration Cell,
ION Concentration Cell**

Pre-machine Rebate

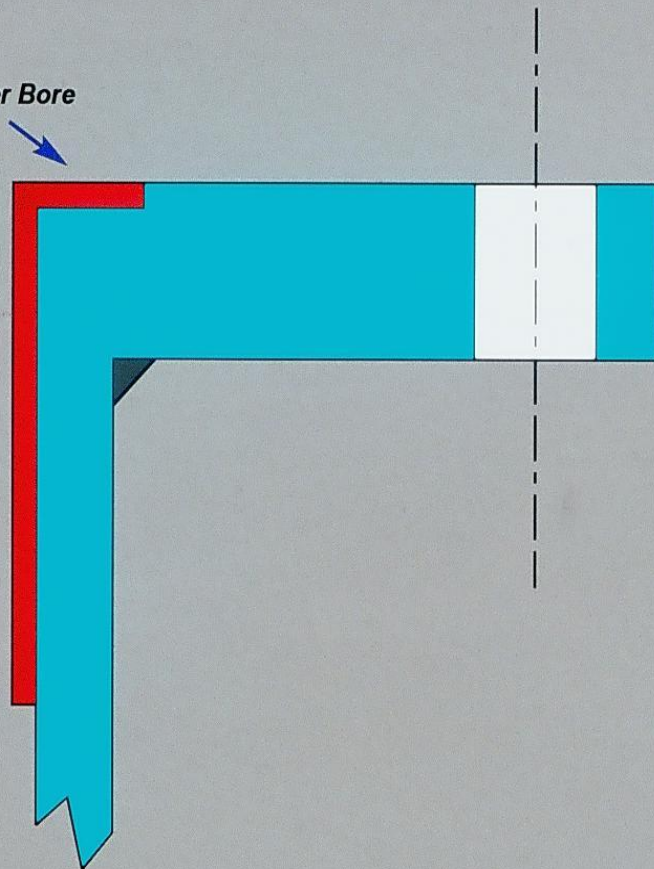
We propose that flange faces are pre machined to allow for coating to be applied to the mating surface of the flange face.



Machined Counter Bore



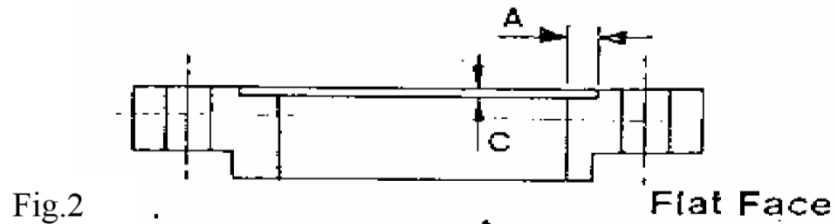
Composite Coating



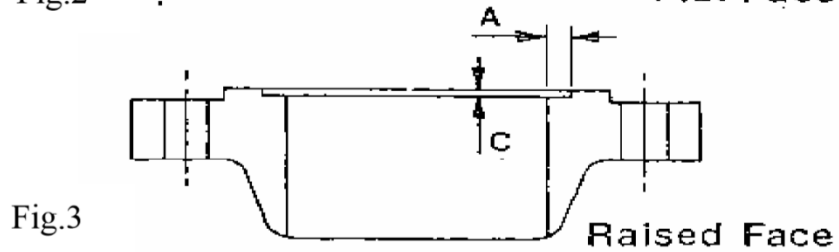
CORROCOAT

Corrocoat User Guide, 6-10

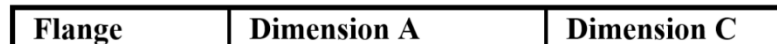
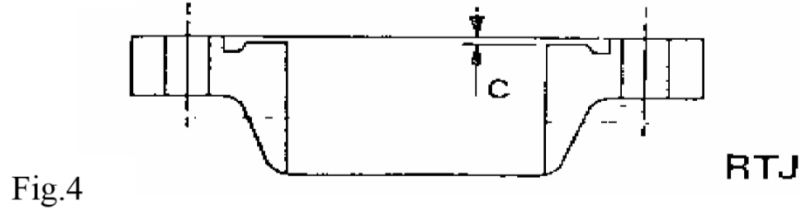
onably smooth
spatter free.



n areas to be
o a minimum



anged at both
connections
to be carried
to Spec PS2



Raised Face, O Ring Rebates



Benefits Of Using Corrocoat

- **Corrosion Protection for new and old components**
- **Single source responsibility, turnkey solutions**
- **Ability to reinstate scrap components using composite repairs.**
- **Products engineered to for chemical resistance of over 1200 chemicals at up to 300°F, immersed.**
- **Single Source Responsibility**
- **Reduced refurbishment times**
- **Long term service life**
- **Cost Effective**

CORROCOAT

Moving Forward...



**More information available at
www.corrocoatusa.com**

CORROCOAT